

MAGO

PREPARE YOUR STORE
FOR SPRING
FREESTANDING DISPLAY

RETAIL



SPRING IN RETAIL

Beginning of the year is an important time, especially in Retail. To increase profits from sales, we have prepared a collection of free-standing solutions that will contribute to better space management in the store and its surroundings. Eye catching stand will definitely make your customers interested in the product and that's key to a successful selling season.

IF YOU HAVE ANY QUESTIONS - CONTACT WITH OUR REPRESENTATIVE
OR DISTRIBUTOR ON:

www.mago.com

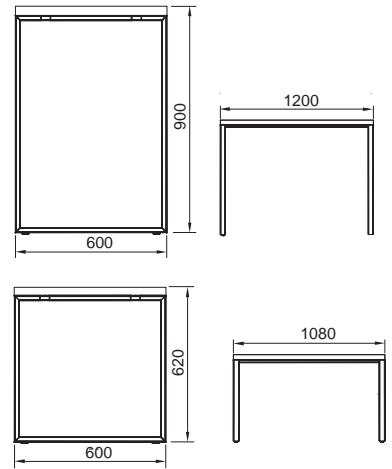
DISPLAY STAND

EXPOSITION TABLES

- EASY TO EXPOSURE
- MOBILITY
- LIGHT CONSTRUCTION



Dimensions



NO	CODE	NAME	QTY	INFO
1	ME-A72570862	EXPOSITION TABLE HIGH WITH LAMINATED BOARD /LIGHT BEECH/	1	SET
2	ME-A72580582	EXPOSITION TABLE MIDDLE WITH LAMINATED BOARD /LIGHT BEECH/	1	SET

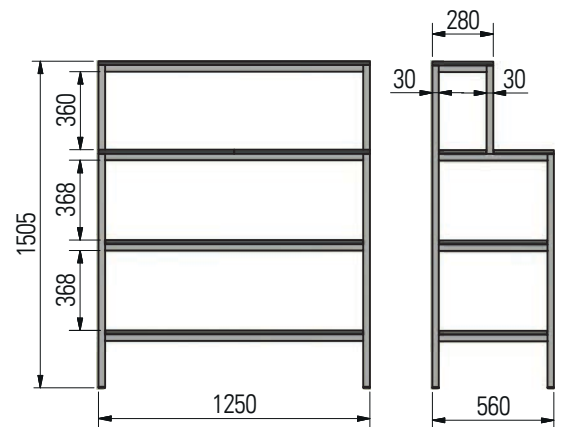
DISPLAY STAND

HOME & DECOR / CLOTHING



ISLAND DISPLAY - EASY FOR ARRANGEMENT
 ATTRACTIVE PRESENTATION OF THE PRODUCT
 SUPPORTING SEASONAL CAMPAIGNS

Dimensions



CODE	NAME	QTY	INFO
AA-117551250	4 LEVEL DISPLAY TABLE L-1250 G-560 H-1500 WITH LAMINATING BOARD 18MM (GRAPHITE)	1	SET

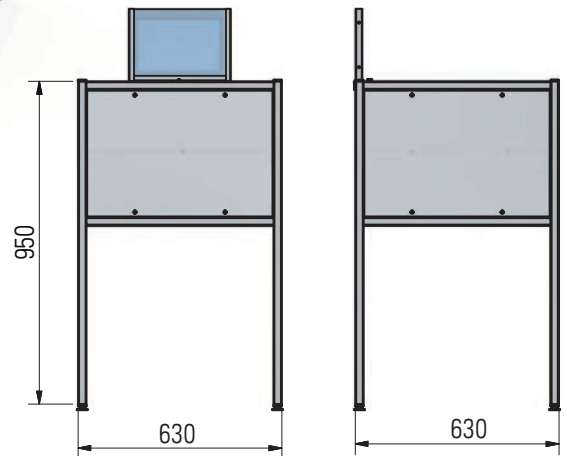
DISPLAY STAND

DUMP BIN WITH PLEXIGLASS

- GOOD VISIBILITY OF THE PRODUCT
- BRANDING FRAME
- TWO CHOICES OF CAPACITY (OPTION)



Dimensions



NO	CODE	NAME	QTY	INFO
1	AA-060506363	DUMP BIN PLEXIGLASS L-630 G-630 H-950 WITH BRANDING FRAME	1	SET
2	PX-A18090614-90	ADDITIONAL BOTTOM – PLEXIGLASS 10MM L-614	1	ACCESSORIES – LOWER CAPACITY
3	AA-060520045	HANDLE FOR PLEXIGLASS	4	

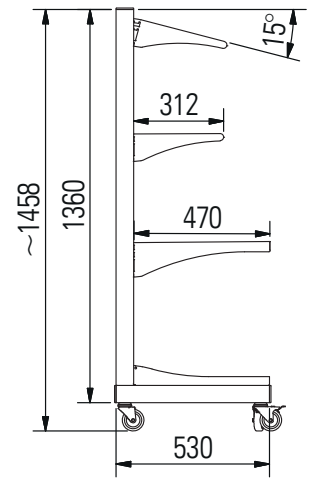
DISPLAY STAND

FLOWERS

ATTRACTIVE FLOWER EXHIBITION
 BIG SHELVING SPACE FOR PRODUCTS
 MOBILITY



Dimensions



CODE	NAME	QTY	INFO
AA-019300665	FLOWER DISPLAY STAND D-530 H-1458 L-665	1	SET
AA-019301330	FLOWER DISPLAY STAND D-530 H-1458 L-1330	1	SET

* BUCKETS NO IN SET

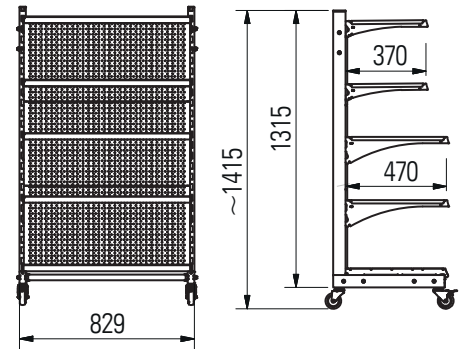
DISPLAY STAND

SUPPORT FOR CHECKOUTS AREA



- VERSALITY
- MOBILITY
- ADJUSTABLE

Dimensions



CODE	NAME	QTY	INFO
AA-019400470	MOBILITY DISPLAY AND ACCESSORIES	1	SET

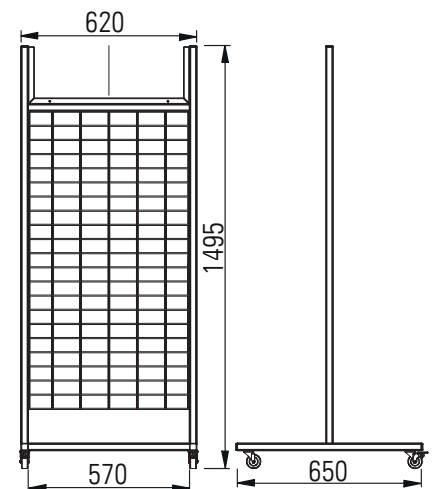
DISPLAY STAND

MAGAZINES & ACCESSORIES

- LIGHT CONSTRUCTION
- MOBILITY SOLUTION
- HOOKS & BOOK SHELVES



Dimensions



NO	CODE	NAME	QTY	INFO
1	CA-010600620	GRATE DISPLAY WITH WHEELS L-620 D-650 H-1495	1	SET
2	WK-R10539610	WIRE SHELF FOR MAGAZINES L-610 D-390 H-40	ACCORDING TO NEEDS	ACCESSORIES
3	WK-R01605200	HOOK FOR GRID L-200 D-5 (WITH LABEL HOLDER FIX)	ACCORDING TO NEEDS	

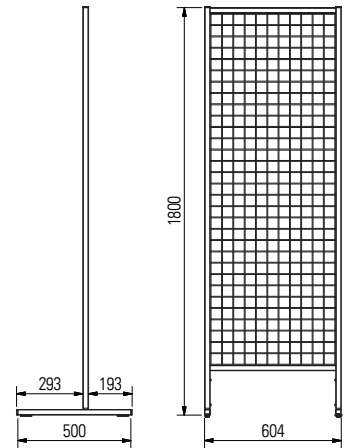
DISPLAY STAND

ACCESSORIES



VERSATILE GRATE SOLUTION
BRANDING
EASY FOR TRANSPORT AND STORAGE

Dimensions



NO	CODE	NAME	QTY	INFO
1	AA-196401800	GRATE DISPLAY L-600 H-1800	1	SET
2	AA-196440600	TOP BRANDING FRAME 25 L-600 H-100	1	ACCESSORIES

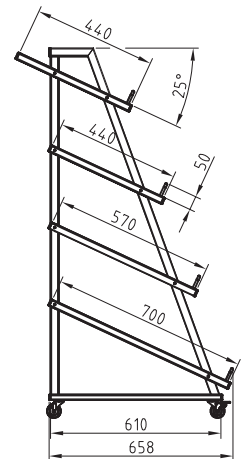
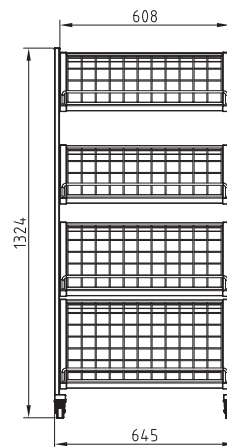
DISPLAY STAND

FRUITS & VEGETABLES BOXES



SUPPORT FOR FRUIT & VEGETABLE AREA
 ATTRACTIVE PRESENTATION OF THE PRODUCT
 MOBILITY

Dimensions



CODE	NAME	QTY	INFO
AA-100530645	FREESTANDING DISPLAY STAND G-610 H-1320 L-645 WITH 4 SHELVES G-400 L-600	1	SET

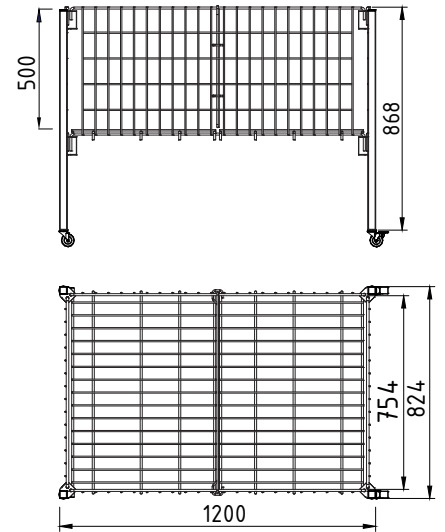
DISPLAY STAND

PROMOTIONAL DUMP BIN

- DOUBLE ADJUSTED BOTTOM
- SUPPORT SALES
- DISCOUNT PROMOTION



Dimensions



CODE	NAME	QTY	INFO
AA-016211200	PROMOTIONAL DUMP BIN DOUBLE ADJUSTED BOTTOM D-800 L-1200 H-875	1	SET

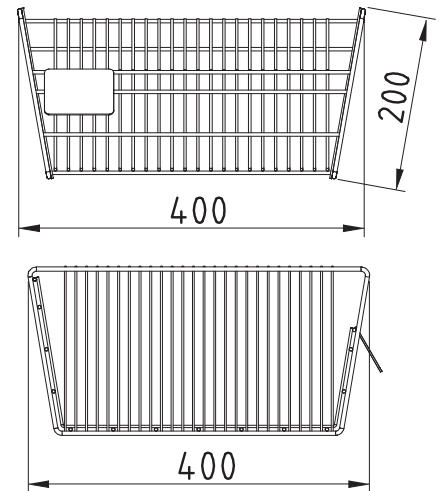
DISPLAY STAND

DUMP BIN 3 LEVEL



- SALE OF BULK ARTICLES
- 3 LEVELS OF EXPOSURE
- LIGHT & MOBILITY

Dimensions



CODE	NAME	QTY	INFO
AA-000930400	PROMOTIONAL DUMP BINS 3 LEVEL D-400 L-425 H-980	1	SET



CONTACT WITH US!



05-830 NADARZYN K/WARSZAWY
RUSIEC, ALEJA KATOWICKA 119/121
Tel.: +48 22 729 81 01
Fax: +48 22 729 81 09
sprzedawcy@mago.com



MAGO FRANCE
111 CHEMIN DE RONDE
78290 CROISSY SUR SEINE
Tél.: +33 (0) 1 78 76 85 83
Fax: +33 (0) 1 78 76 85 84
commerce@mago.com



MAGO DEUTSCHLAND GMBH
BORSIGSTR. 5
40880 RATINGEN
Tel.: +49 (0) 170 7147390
verkauf@mago.com



ООО "МГМ"
УЛ. ЮЖНАЯ Д. 9
Г. БАЛАШИХА, МКР. КУЧИНО
МОСКОВСКАЯ ОБЛАСТЬ
РОССИЯ 143981
Тел.: +7 (495) 9880187



MAGO UKRAINE
01601 KIEV
BUL. GRUSHEVSKOVO 4, OFFICE 728
Tel.: +38 (067) 328 77 99
kiev@mago.com

MAGO

www.mago.com