

A SUITE OF SOLUTIONS TO MINIMISE THE RISK OF **COVID-19** INFECTION

GUARANTEED SAFETY
AND CONCRETE BUSINESS BENEFITS



Safe checkout zone



MAGO

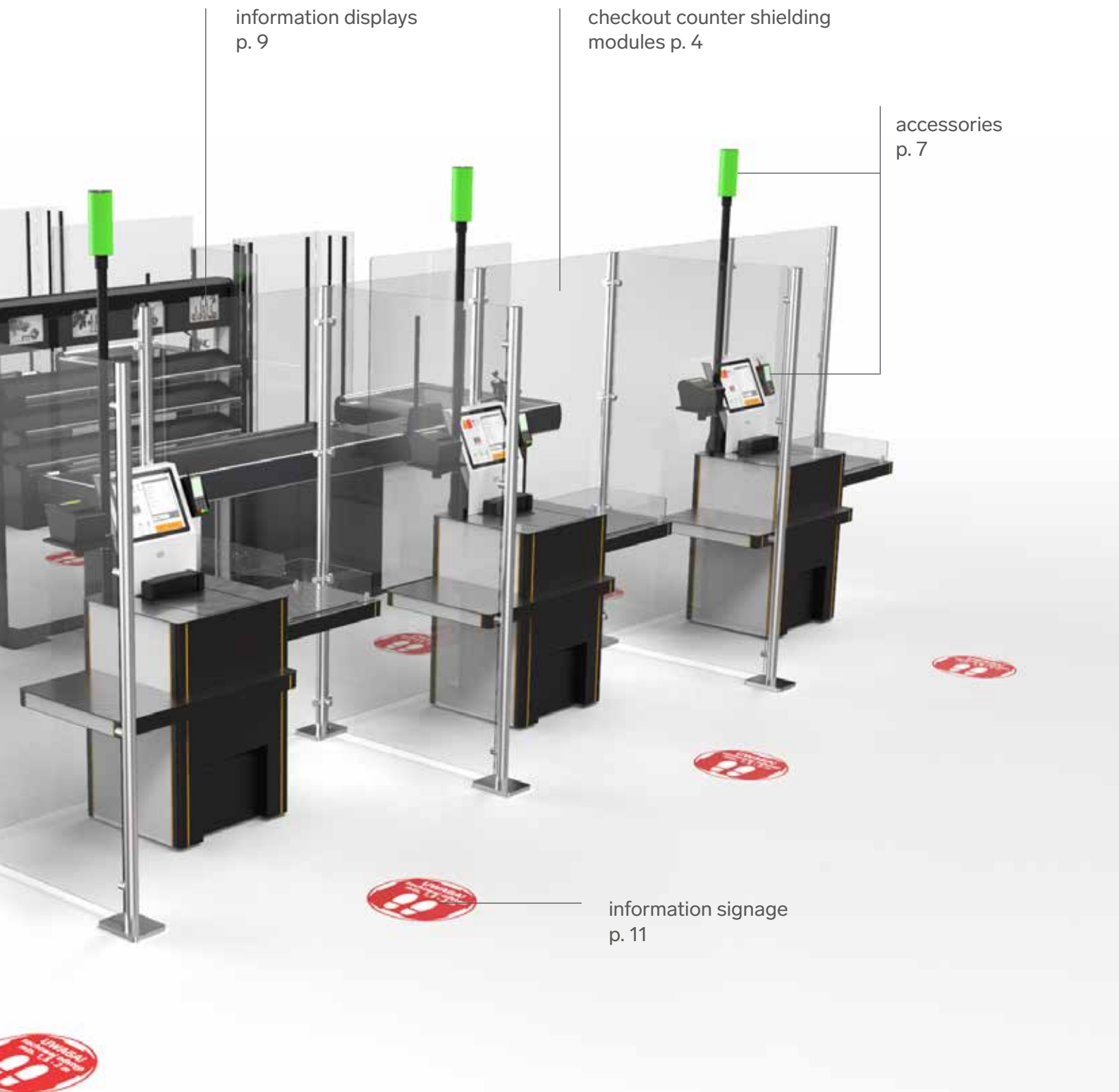
#safeTogether

SAFE CHECKOUT ZONE

CONTENTS

Checkout counter shielding modules	4
Automatic cash recycling	6
Accessories	7
Disinfection station	8
Information displays	9
Information signage	11
Antibacterial coatings	12





information displays
p. 9

checkout counter shielding
modules p. 4

accessories
p. 7

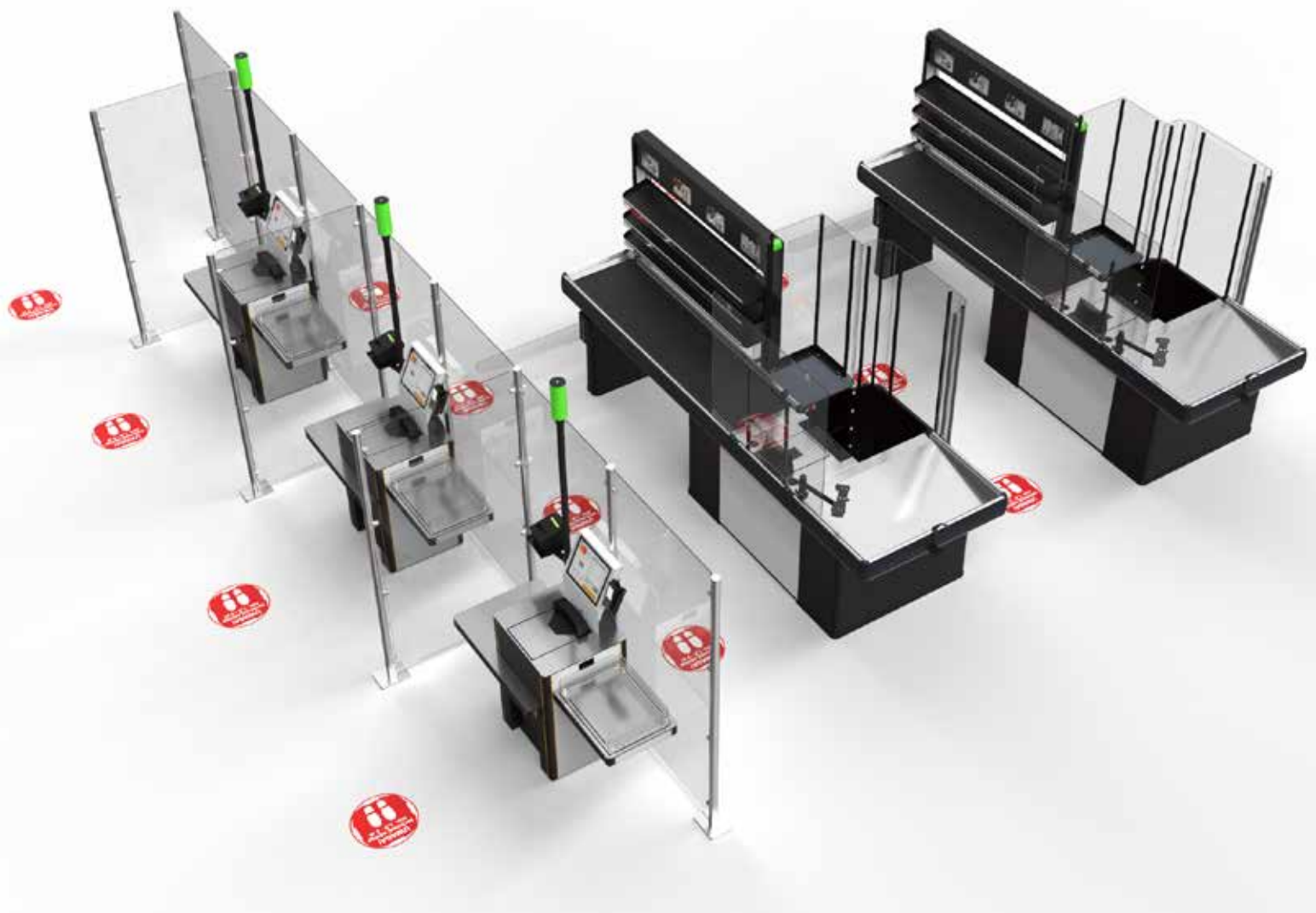
information signage
p. 11

CHECKOUT COUNTER SHIELDING MODULES

Transparent checkout counter shields **improve the safety and comfort** of both shop employees and shoppers. They help **maintain a safe distance** between the customer and the cashier, and on top of that, they create **isolated and comfortable workspace for the cashier**.

With their modular structure, the shields can be fitted to **virtually any checkout counter**, taking into account the customer's requirements and needs with respect to the extent of cashier isolation.

The shields can be assembled and disassembled in a simple manner by the shop employees on their own. The shields can be installed not only at checkout counters, but also at customer service points, shop counters or other places with face-to-face contact between shoppers and cashiers.



SHIELDS FRONT, REAR AND SIDE

Acrylic glass front shields reinforce cashier protection by **limiting any direct contact** with shoppers when scanning goods and making payments for purchases.



FRONT SHIELD
FOR CHECKOUT COUNTERS



SHIELDS FOR SHOP COUNTERS AND FLAT
SURFACES AT SERVICE POINTS

The side shields guarantee that **a distance is maintained** between the cashier and the shopper while the shopper places his or her purchases on the conveyor belt or once the goods reach the packing area.

The rear shield **separates the cashier** from any people standing nearby, e.g. those in a parallel queue.

DESIGN AND STRUCTURE

The latest design of the checkout counter shields follows the current trends in commercial interior design, and the modularity of the solutions allows for a wide range of combinations.



REAR SHIELD ▶

AUTOMATIC CASH RECYCLING

FITTED CASH RECYCLER MODULES

The cash acceptor and dispenser module, called the cash recycler, automates the payment process and removes this task from the cashier to the shopper.

Aside from the obvious advantages of this solution, such as no mistakes, secure cash storage, or the speed of the transaction itself, it is important in the context of cashier and shopper protection that the contact between the shopper and the cashier is minimised and **the cashier does not touch the cash**, which is a source of potential exposure to viruses or bacteria.

The module can be integrated into existing cash registers or checkout counters, or operate as an independent recycler in the checkout area.



CHECKOUT COUNTER WITH THE CIMA INLANE MODULE

ADVANTAGES

- ✓ minimises shopper-cashier contact
- ✓ eliminates cashier-cash contact
- ✓ automatic note and coin validation
- ✓ online control of daily deposits
- ✓ cash cycle security
- ✓ the module can be integrated with CIT (cash-in-transit) and banking systems



CHECKOUT COUNTER WITH THE CASHMATIC ADVANCE MODULE

ACCESSORIES

Easy and quick to assemble, these accessories can be placed **anywhere** in the checkout area or sales floor.

EXTENDED PIN PAD MOUNT

The special extended and adjustable arm design **allows to maintain a safe distance** between the cashier and shopper.

BF-18P840000



DISINFECTANT HOLDER

Easy and quick to assemble, these accessories can be placed **anywhere** on the sales floor.

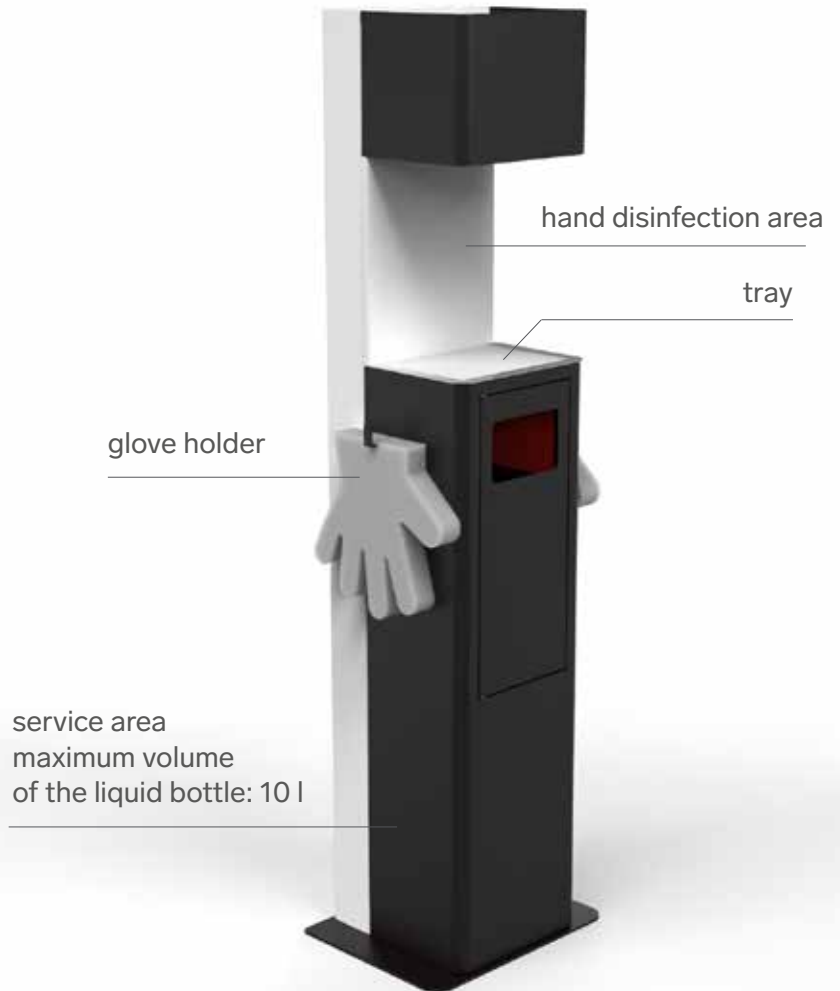
Q5P-AU1S001



DISINFECTION STATION

A touch-free station with an automatic disinfectant dispenser is an essential item for any shop, public facility or warehouse.

It provides **effective protection to customers and employees** against the transmission of infections to other people and objects. Its ergonomic form, contemporary design and a selection of disinfectant container volume options (up to 30 litres) allow the station to be placed in any space and any facility.



AUTOMATIC BLOCKING GATE

Installed in front or in the back of the checkout counter, this solution forces **a safe distance** between shoppers and ensures that **only one person** can be present at the counter.



INFORMATION DISPLAYS

The use of displays in retail shops offers a **multitude of shopper communication opportunities**, from pure **information** or **advertising** messages to **warning and educational functions**. The choice of display sizes and optional interactivity (interactive kiosk) offer virtually endless possibilities of customising the content and format of the message.

With digital media and management systems such as digital signage, we are able to deliver the right variable content anytime and anywhere. Owing to targeted messages, we can achieve the desired effects, such as approaching the checkout counters one by one or keeping a safe distance between shoppers, which improves the comfort and security of the shopping experience and minimises the risk of transmission of infections.

Information displays
in the checkout area



CHECKOUT AREA RACK WITH LED DISPLAYS

Impulse item rack for the checkout area. LED displays can be used to **deliver advertising content**, but also to display **messages to shoppers** about following the safety policies and procedures.



LED INFORMATION DISPLAY

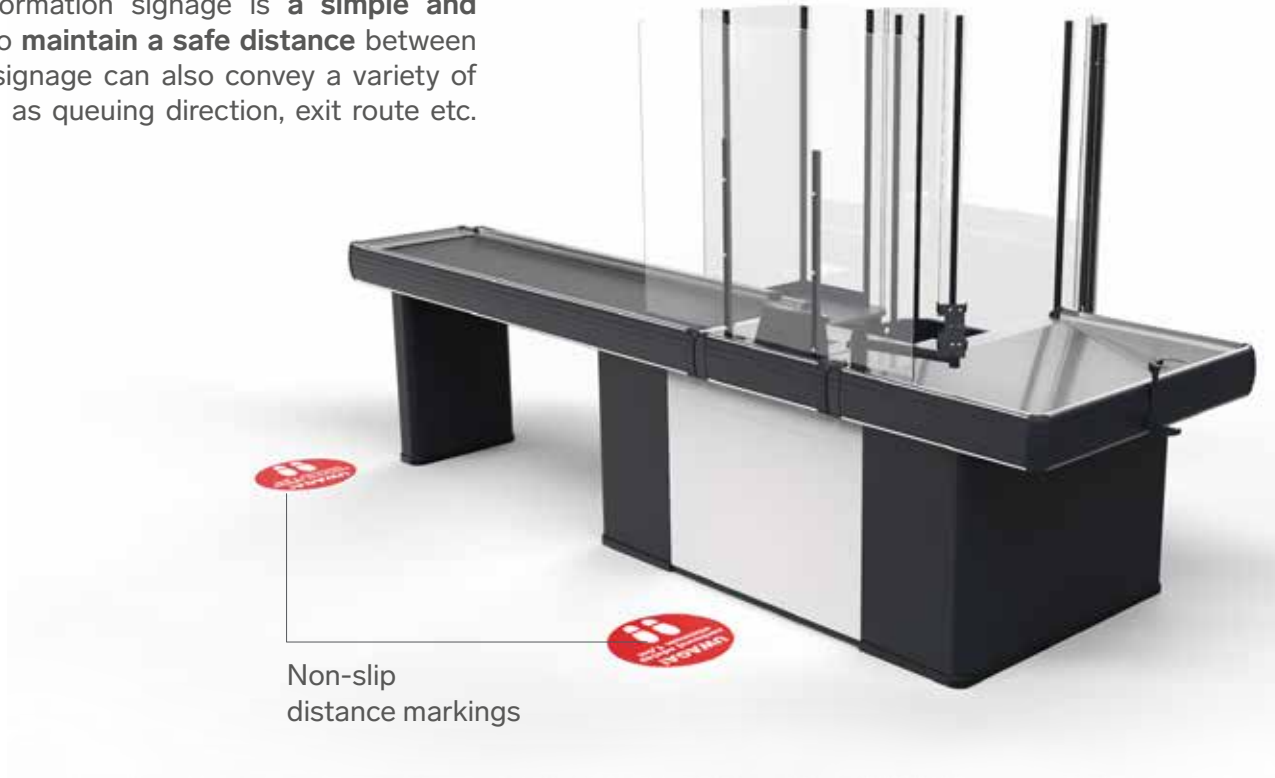


The straightforward design **ensures easy assembly** in locations where we need to grab the shoppers' attention. The displays are available as fitted or free-standing versions measuring from around a dozen to several dozen inches.

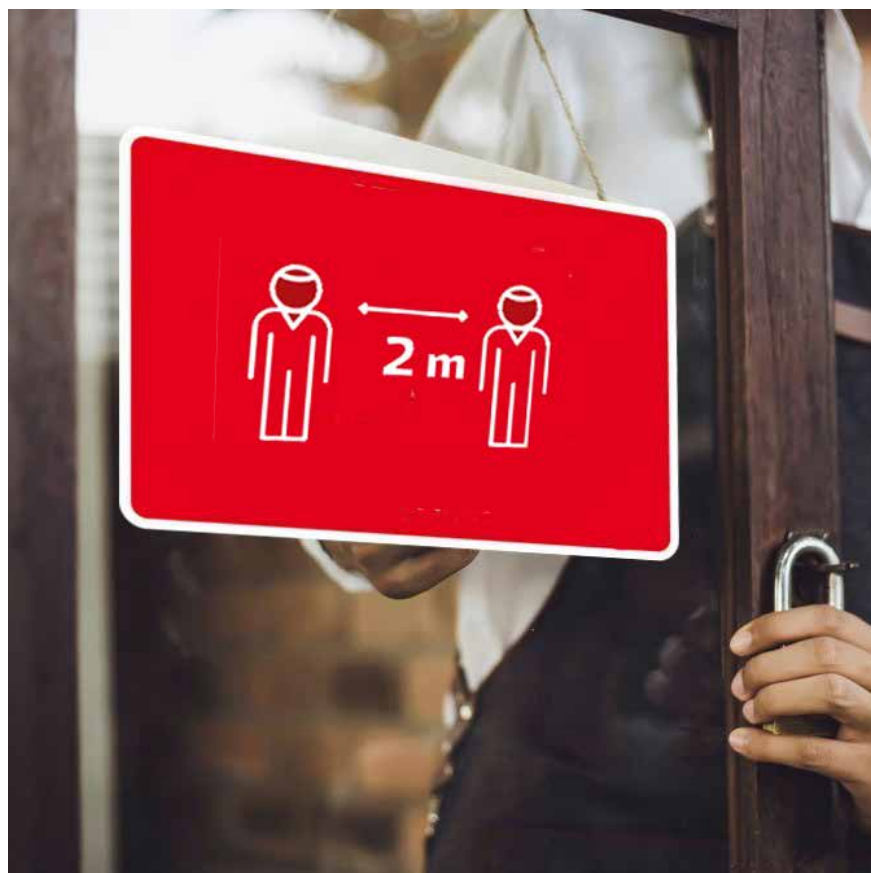
INFORMATION SIGNAGE

IN THE QUEUING AND CHECKOUT AREAS

The use of information signage is a **simple and effective way to maintain a safe distance** between shoppers. The signage can also convey a variety of messages, such as queuing direction, exit route etc.



Stay healthy
Keep distance



ANTIBACTERIAL COATINGS

In order to achieve and maintain **the highest hygiene standards**, we offer antibacterial coatings for our solutions, which provide lasting and effective **protection of surfaces against germs and bacteria**.

Antibacterial coatings are a perfect addition to the daily disinfection routine. **They maintain high resistance to chemicals** regardless of how often the treated surfaces are cleaned.

ADVANTAGES

- ✓ effective protection against germs and bacteria
- ✓ high resistance to chemicals regardless of cleaning frequency
- ✓ a perfect addition to the regular disinfection routine
- ✓ used in the medical sector, they provide effective protection for all pieces of shop equipment coming into direct contact with users.



MAGO GROUP



HEADQUARTERS

Rusiec, Aleja Katowicka 119/121

05-830 Nadarzyn

+48 22 729 81 01 | sprzedawcy@mago.com | www.mago.com

MANUFACTURING PLANTS

POLAND

Rusiec, Aleja Katowicka 119/121

05-830 Nadarzyn

POLAND

MGL Sp. z o.o.

MAGO GROUP

ul. Opoczyńska 16

96-200 Rawa Mazowiecka

RUSSIA

ООО МАГО РУСЬ

236034, Калининградская

обл, Калининград г,

Энергетиков ул, дом № 8

BRANCH OFFICES

MAGO GERMANY

Westhafenstr. 1

13353 Berlin

+49 170 714 73 90

verkauf@mago.com

MAGO ITALY

Via Caselle, 76

40068 San Lazzaro Di Savena

+39 (0) 5 14 84 63 56

italia@mago.com

MAGO UKRAINE

Bul. Grushevskovo 4, Office 728

01601 Kiev

+38 (067) 328 77 99

kiev@mago.com

MAGO FRANCE

113 Chemin De Ronde

78290 Croissy Sur Seine

+33 (0) 1 30 53 71 90

commerce@mago.com

MAGO RUSSIA

Г. Москва, Ул. Угрешская Д.2 С. 1

115088 Московская Область

+7 (495) 9880187

moscow@mago.com

- Manufacturing plants
- Branch offices
- Distribution

